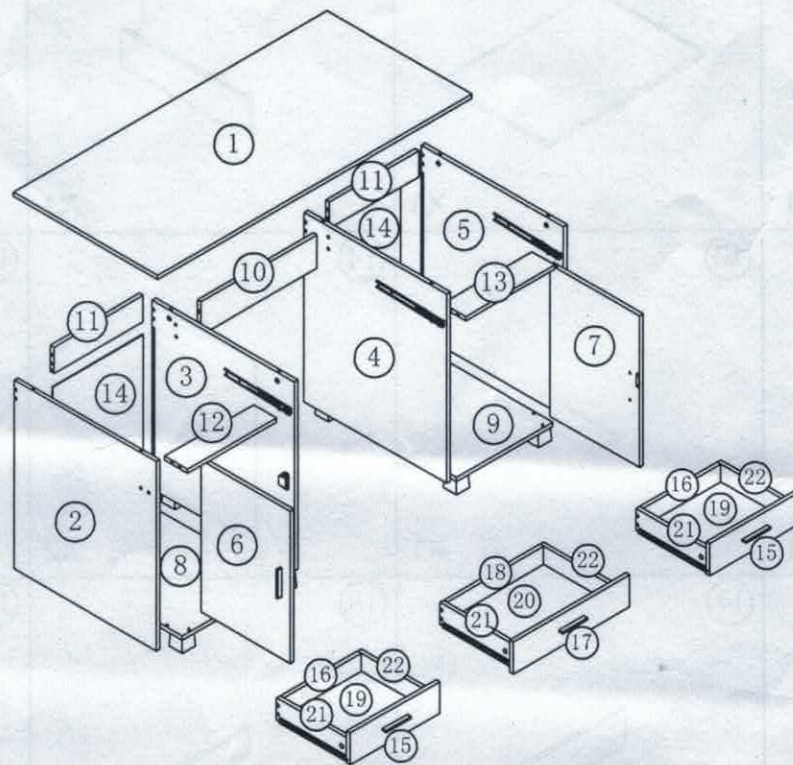
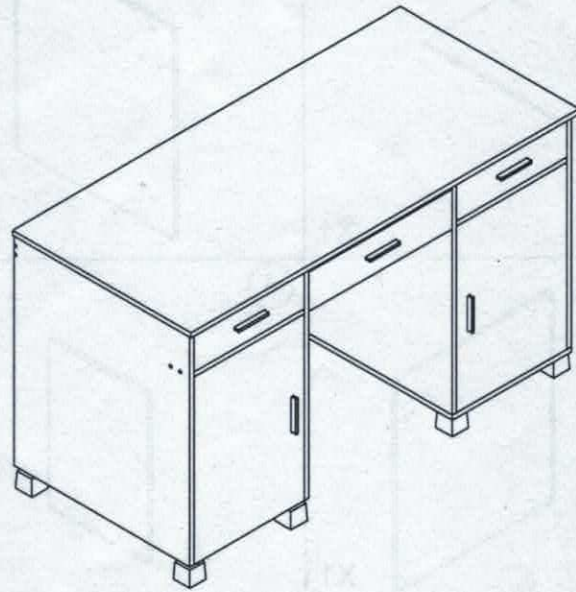
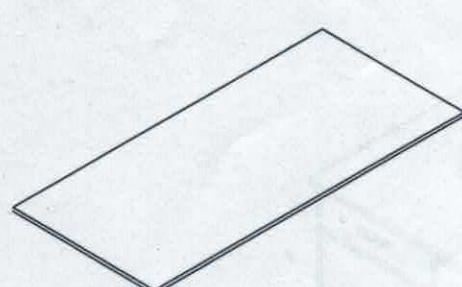
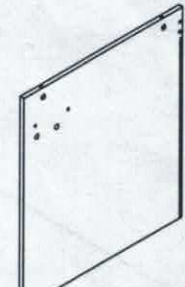
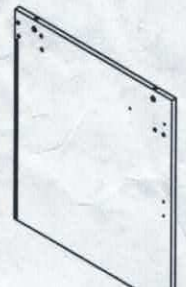
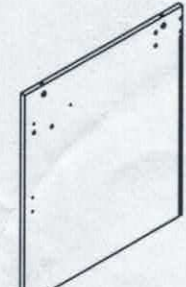
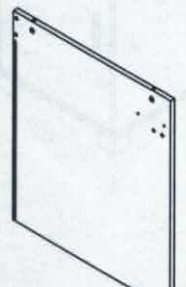
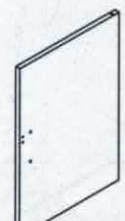
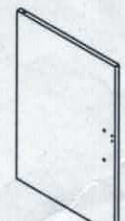

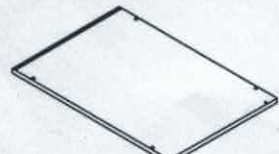




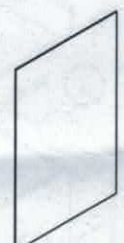
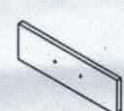

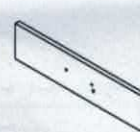




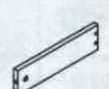


ASSEMBLY INSTRUCTION



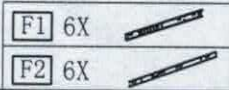
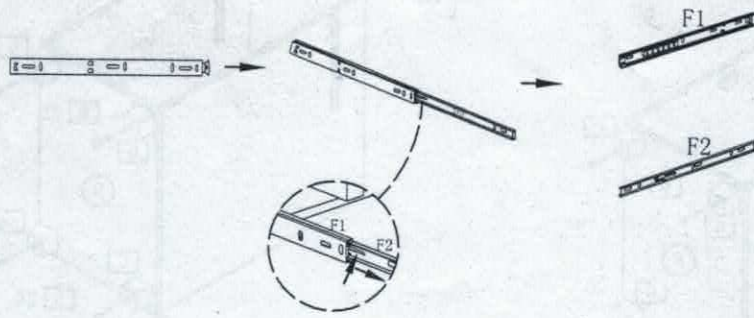
No.	PICTURE		SIZE	QTY	No.	PICTURE		SIZE	QTY
A			ST7*40	40	G				8
B			M6*35	14	H				2
C			ST3.5*14	32	I				4
D			ST4*30	8					
E	X2	X1	M4*18	5					
F	F1	F2		6					1

ASSEMBLY INSTRUCTION

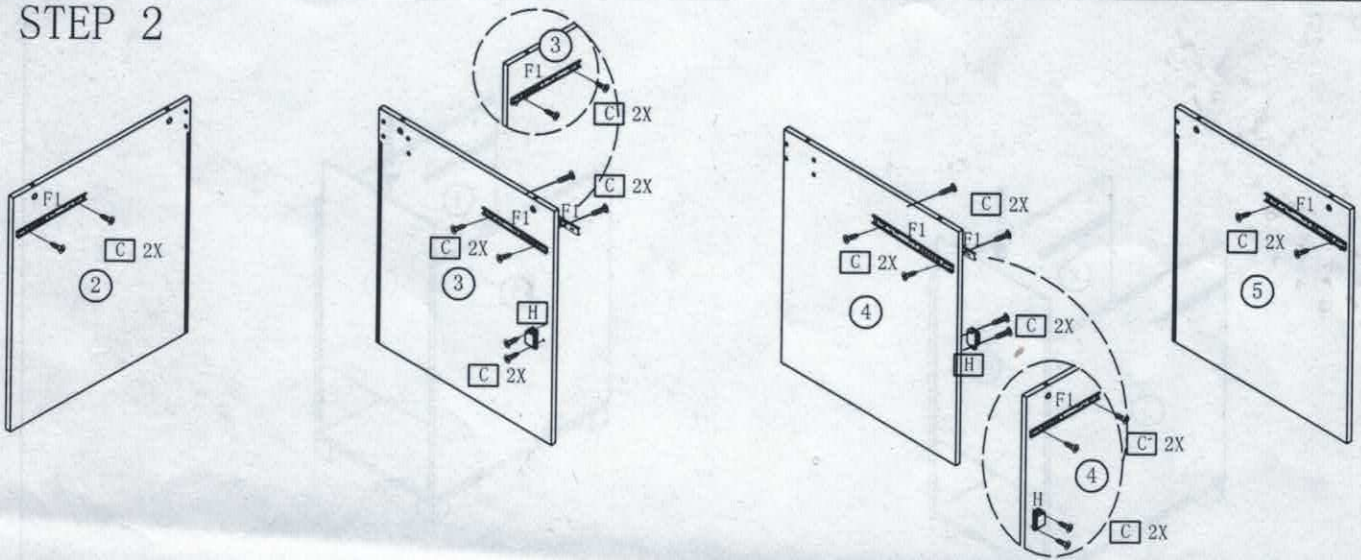
<p>①</p>  <p>X1</p>	<p>②</p>  <p>X1</p>	<p>③</p>  <p>X1</p>	
<p>④</p>  <p>X1</p>	<p>⑤</p>  <p>X1</p>	<p>⑥</p>  <p>X1</p>	<p>⑦</p>  <p>X1</p>
<p>⑧</p>  <p>X1</p>	<p>⑨</p>  <p>X1</p>	<p>⑩</p>  <p>X1</p>	<p>⑪</p>  <p>X2</p>
<p>⑫</p>  <p>X1</p>	<p>⑬</p>  <p>X1</p>	<p>⑭</p>  <p>X2</p>	<p>⑮</p>  <p>X2</p>
<p>⑯</p>  <p>X2</p>	<p>⑰</p>  <p>X1</p>	<p>⑱</p>  <p>X1</p>	<p>⑲</p>  <p>X2</p>
<p>⑳</p>  <p>X1</p>	<p>㉑</p>  <p>X3</p>	<p>㉒</p>  <p>X3</p>	

ASSEMBLY INSTRUCTION

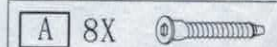
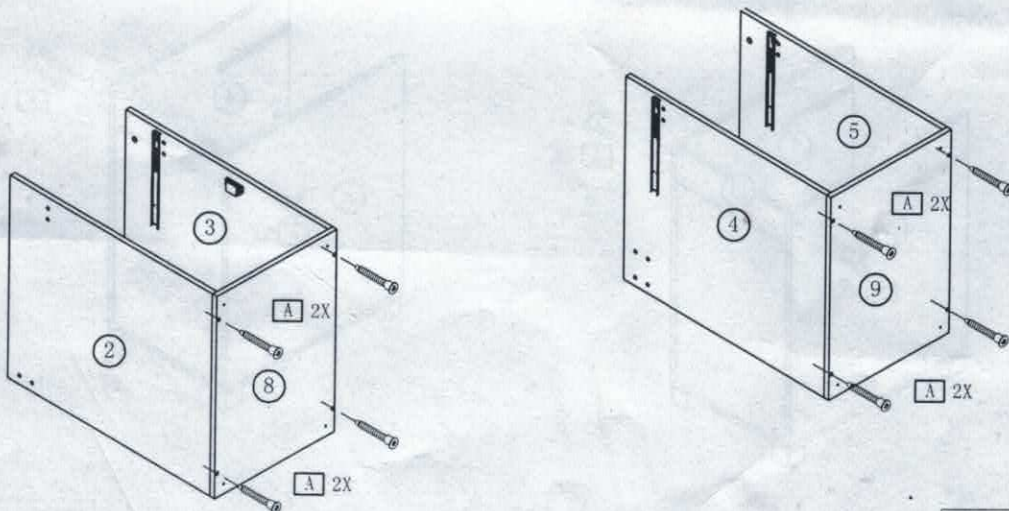
STEP 1



STEP 2

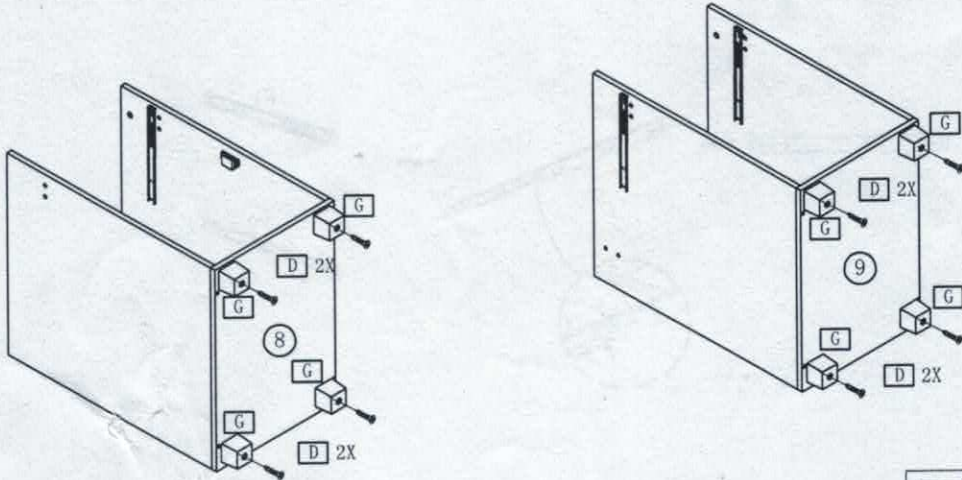




STEP 3



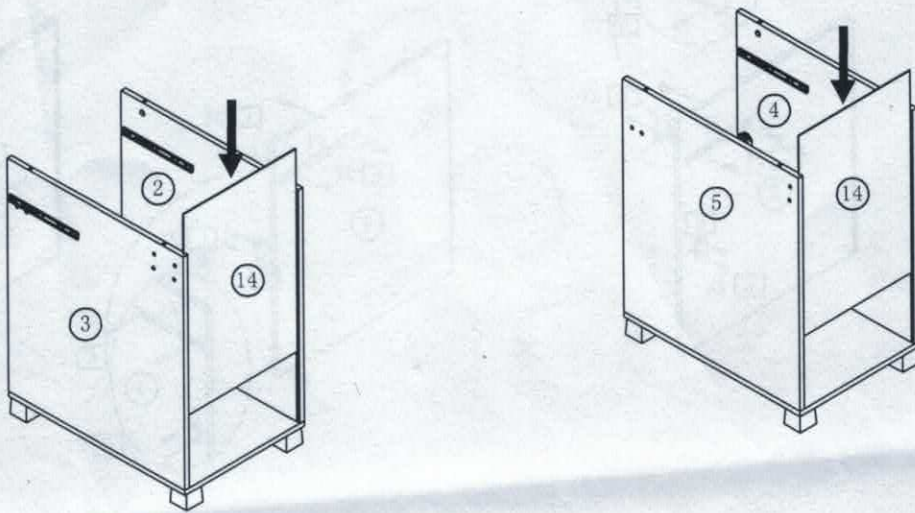
ASSEMBLY INSTRUCTION

STEP 4

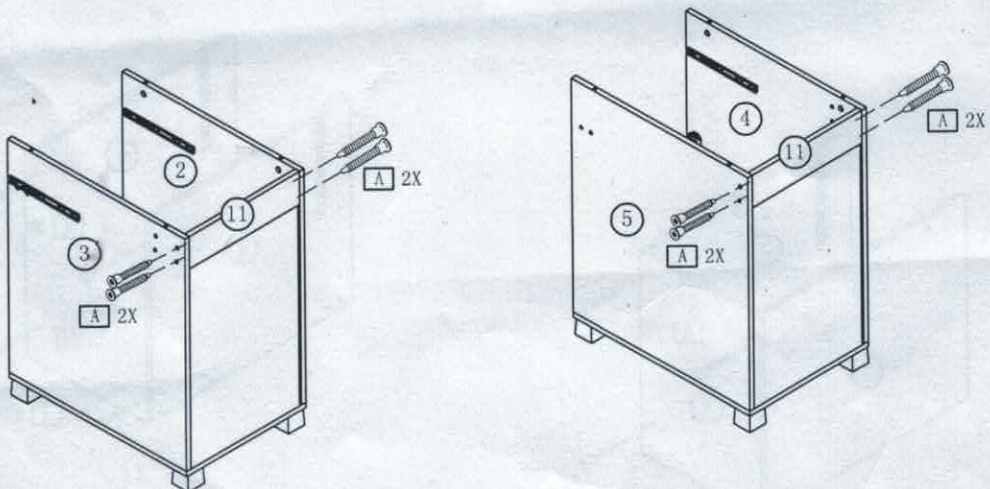


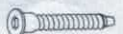
D	8X	
G	8X	

STEP 5



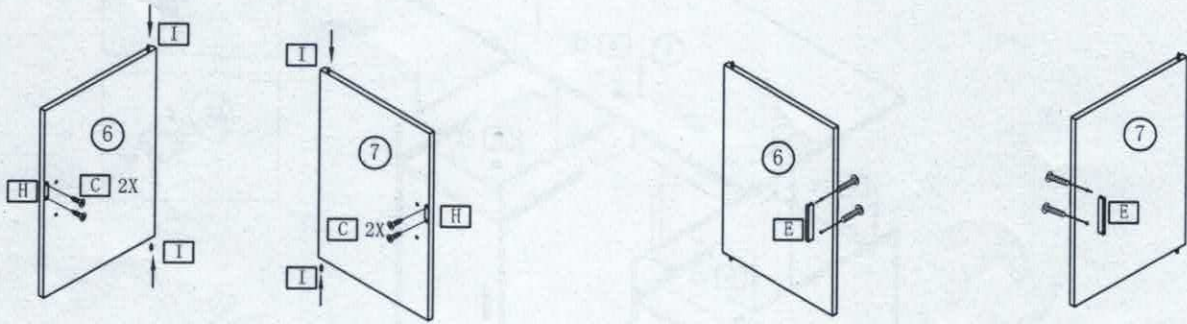
STEP 6



A	8X	
---	----	---

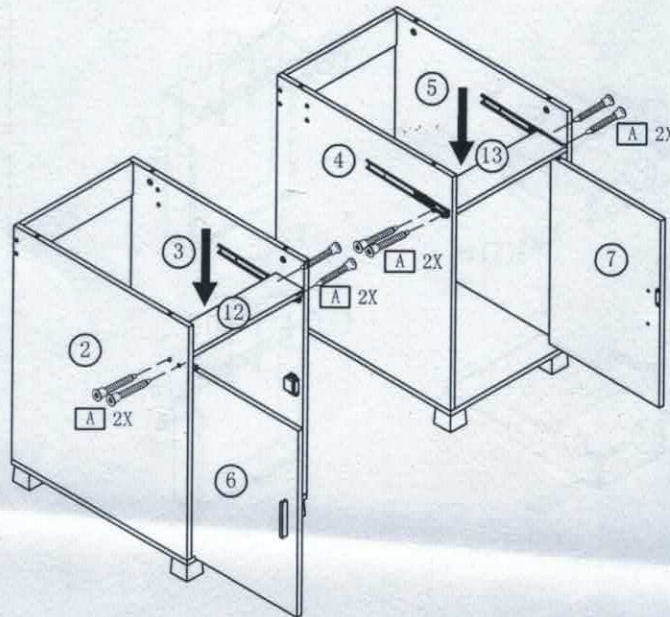
ASSEMBLY INSTRUCTION

STEP 7



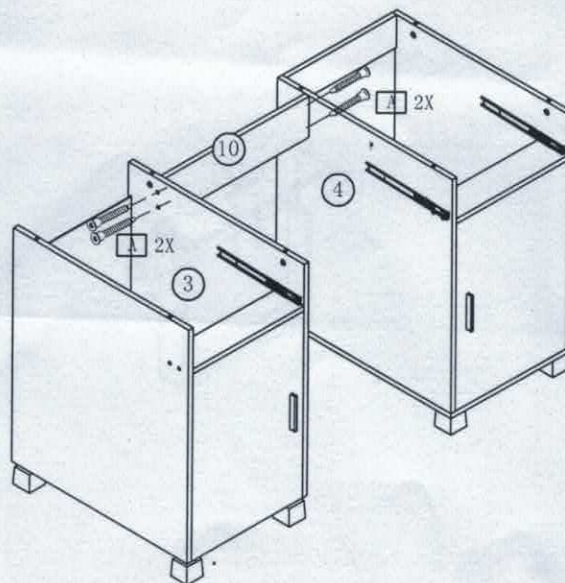
C 4X		E 2X	
H 2X		I 4X	

STEP 8



A 8X	
------	--

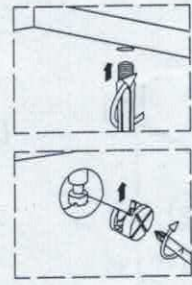
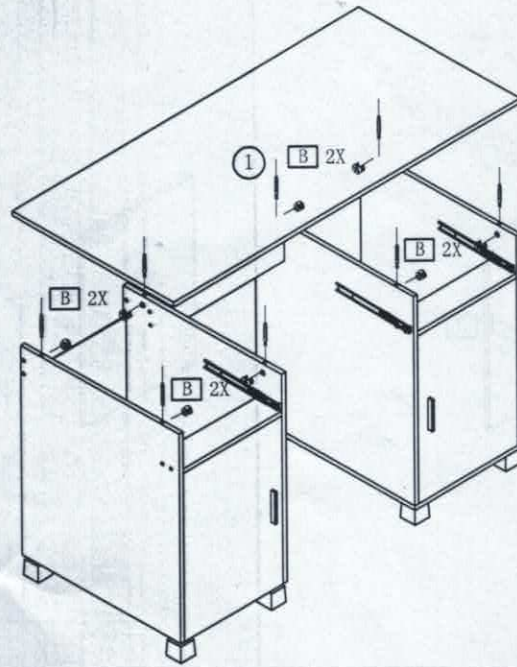
STEP 9



A 4X	
------	--

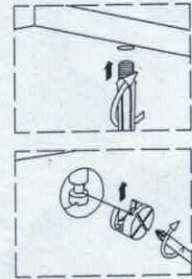
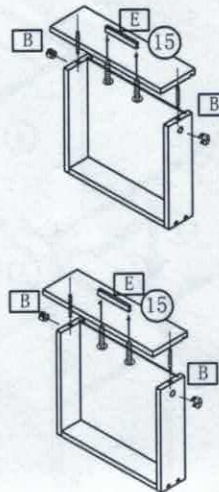
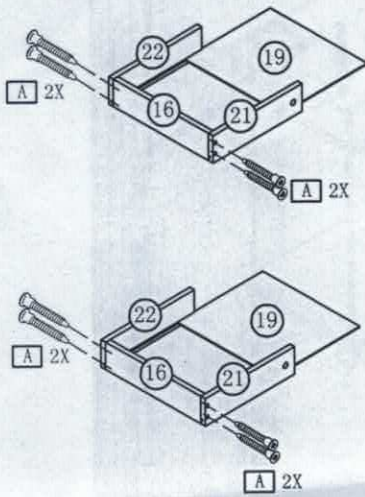
ASSEMBLY INSTRUCTION



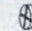

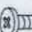

STEP 10



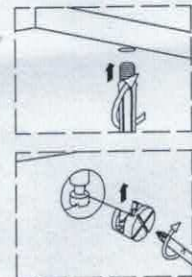
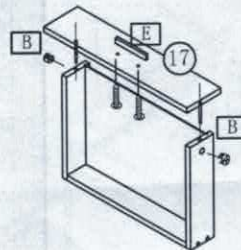
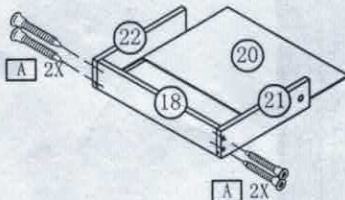
B 8X  







STEP 11



A 8X  
 B 4X  
 E 2X  

STEP 12

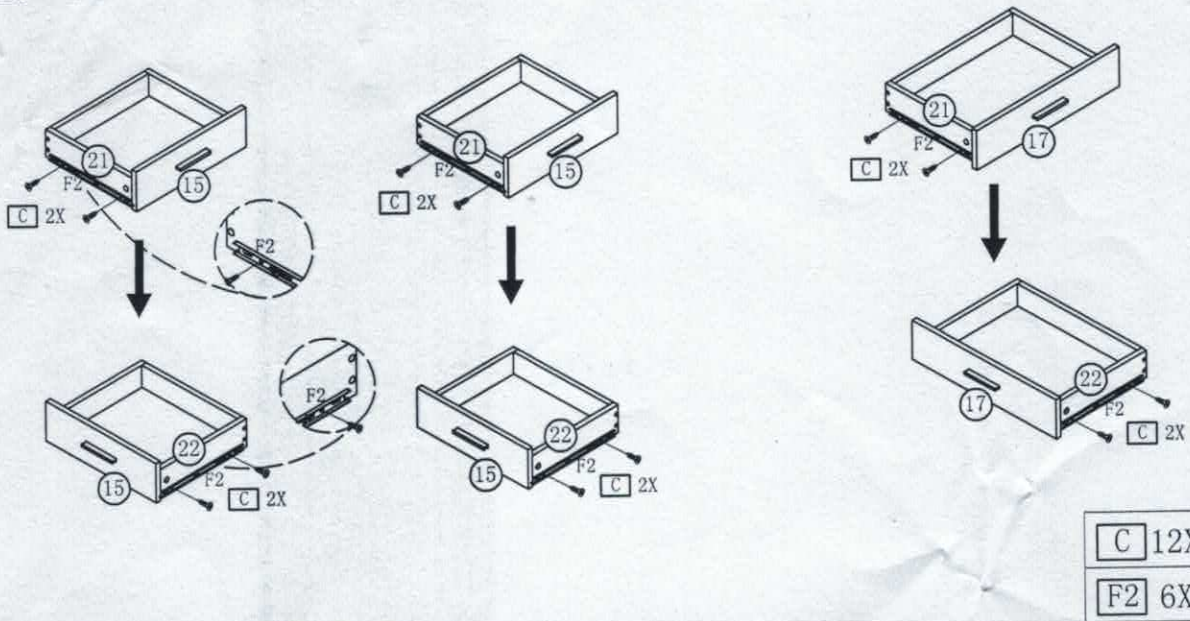


A 4X  
 B 2X  
 E 1X  

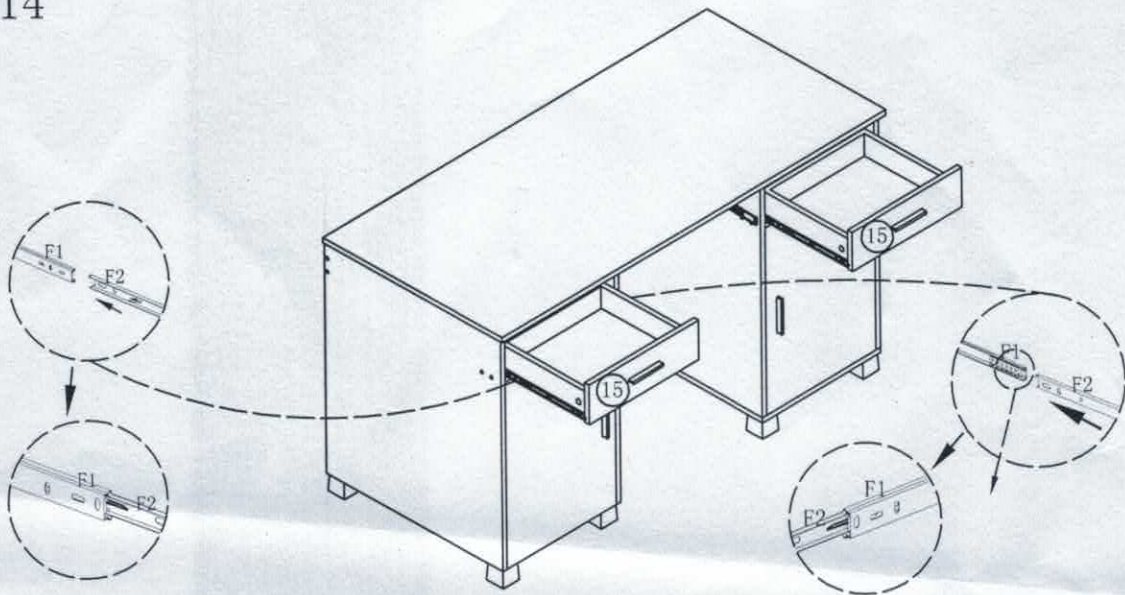
ASSEMBLY

INSTRUCTION

STEP 13



STEP 14



STEP 15

